

FOR MINING, FOOD, BEVERAGE AND CHEMICAL FILTRATION

Over the last two decades AATech, Inc. has supplied industrial and commercial fluid filtration equipment both locally and nationwide. The ever present need for filtration using precoat materials exists for the hard to filter solids where membrane filtration will simply not work. Filtration down to 0.5 micron particle size can be obtained using our precoat filter. Effluent levels below 1 ppm are easily obtainable using our filters. We have years of experience sizing and design filtration equipment for your particular application including acids, amines, beverages, brine, condensate, fats, food, mining, sugars, syrup, and sulphur to name a few. AATech's precoat filters are an excellent choice for pretreatment and polishing filtration especially when the solids are sticky or of the fouling type because of ease of cleaning and extended filtration run lengths.

Our filters can be supplied as tubular elements, fixed leaf or rotational cleaning to best suit your particular application. Tubular elements are of a quick cleaning back flow type and can be supplied with a quick change filter bundle for ease of maintenance. Our fixed leaf filters can be supplied with a retractable vessel or a retractable filter bundle for assisted cleaning and maintenance depending on your particular application. Rotational filter cleaning can be supplied for superior cleaning as compared to conventional fixed leaf filters. The leaf filters can also be provided as wet cake discharge or dry cake discharge.

The AATech Filters offer many features as standard that may be optional by other equipment manufacturers. Many years of valuable experience allows AATech to provide a system designed to our high standards for unattended service with a minimum of routine maintenance. AATech Filters are an excellent choice for any mining, food, beverage and chemical operation where sub-micron filtration is required when membrane filtration just won't work.

AATech offers its customers the very best equipment at a most affordable price. We invite you to compare our features with anyone's, then check our price. You will be very pleasantly surprised. We offer a complete line of systems, ranging from pre-engineered to full custom designs, to meet your specific requirements.



STANDARD FEATURES

- Differential Pressure Monitoring
- Relief Valve Vessel Protection
- Quick Opening Closure
- Sample Cocks for Fluid Testing
- Inlet and Outlet Pressure Gauges
- 100 PSI minimum rated ASME code vessels
- ASME B31.3 face piping
- Corrosion Resistant Internals
- Solenoid operated automatic valves actuated by local Programmable Controller
- Class 1, Division 2, Group C or D area usage

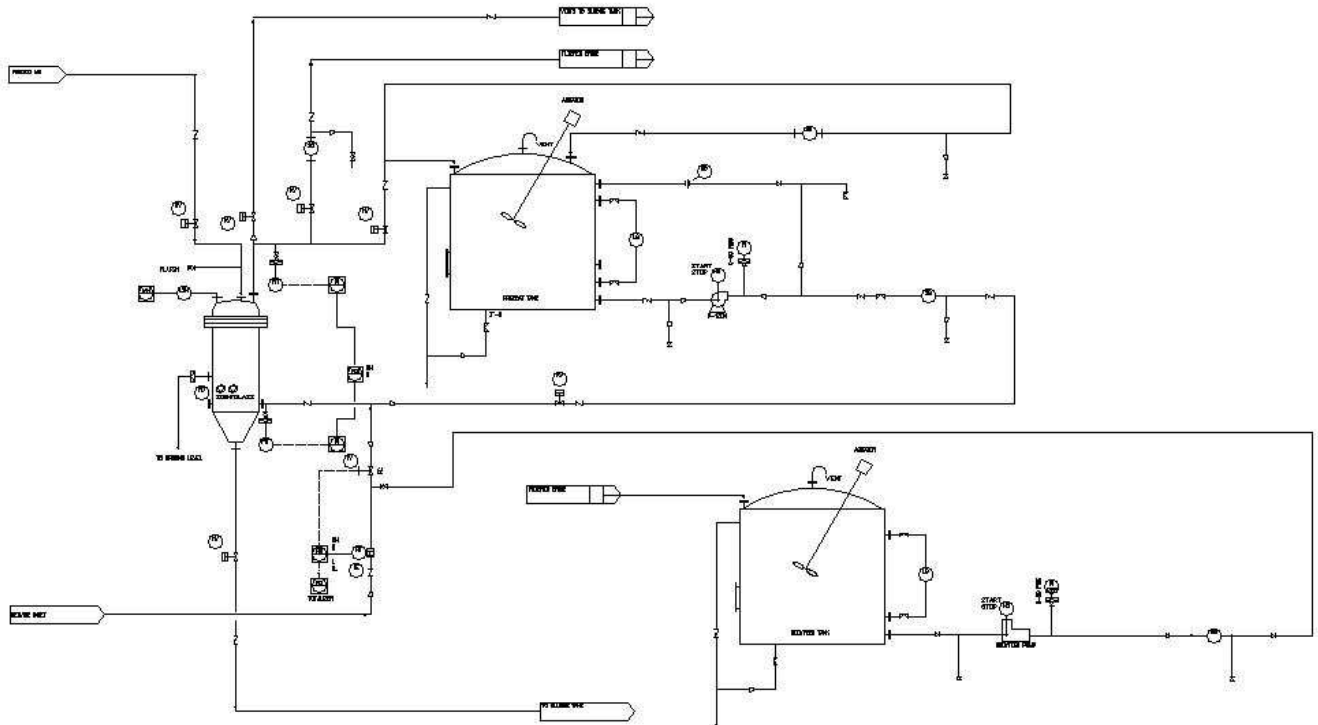
OPTIONAL FEATURES

- Corrosion Allowance
 - Precoat System
 - Bodyfeed System
 - Turbidity Meter
 - Custom PLC controls
 - Human machine interface screens
 - Access Platforms
-

SPECIFICATIONS TUBULAR FILTERS

SIZE (SQ FT)	VESSEL DIAMETER (INCHES)	MAXIMUM CAPACITY (GPM)	APPROXIMATE SHIP WEIGHT (LBS)	LENGTH (FEET)	WIDTH (FEET)	IN/OUT PIPE SIZE (INCHES)
100	30	70	3,900	5'-0"	4'-0"	2
150	36	100	4,600	6'-0"	5'-0"	2.5
225	42	150	6,000	7'-0"	6'-0"	3
300	48	250	7,400	7'-6"	6'-6"	4
350	54	300	9,100	8'-6"	7'-6"	4
500	60	450	10,900	9'-6"	8'-6"	6
650	66	700	13,300	11'-0"	9'-0"	6
750	72	860	14,800	11'-6"	9'-6"	6
850	78	1000	18,200	12'-0"	10'-0"	6
1000	84	1300	22,000	13'-0"	11'-0"	8

SPECIFICATIONS LEAF FILTERS TOO MANY VARIATIONS TO LIST CONSULT WITH AATECH



15342 Valencia Avenue, Fontana, CA 92335
 Phone: (909) 854-3200 Fax: (909) 854-3300
 E-mail: Aatecwater@aol.com
 Website: aatechwater.com