

BAKERCORP PORTABLE 10K FILTRATION SYSTEM

**LESS HASSLE,
HIGHER FLOW RATE
AND FASTER SETUP**



- Fully assembled, skid-mounted filtration system for rapid setup and deployment
- Job-ready upon delivery
- No permit required to transport
- Achieve flow rates up to 1200 GPM with this cost-effective, labor-saving alternative
- Run dual vessels in series or parallel—numerous flow options
- Support pad not needed
- Designed with safety in mind—permanently attached catwalks, guard rails and ladders
- Ideal for environmental & industrial contaminant removal

The BakerCorp 10K Specialty Media System is the most flexible, quick set-up solution now available for filtration industry professionals.

Job-ready—Skid mounted and fully assembled for rapid delivery and setup saving valuable time and labor.

Compact size—The forkliftable 10K Filtration System does not require special permits for transport and delivery.

Dual-vessel design—Use different media within the same unit, or clean and replace spent media out of one unit while the other unit takes over—with no down time.

Handles a variety of media—From organoclay to ion exchange, arsenic removal media, activated carbon, specialty resins and smaller particulate media, the 10K handles the specialty media to ensure the most efficient solution for your job.

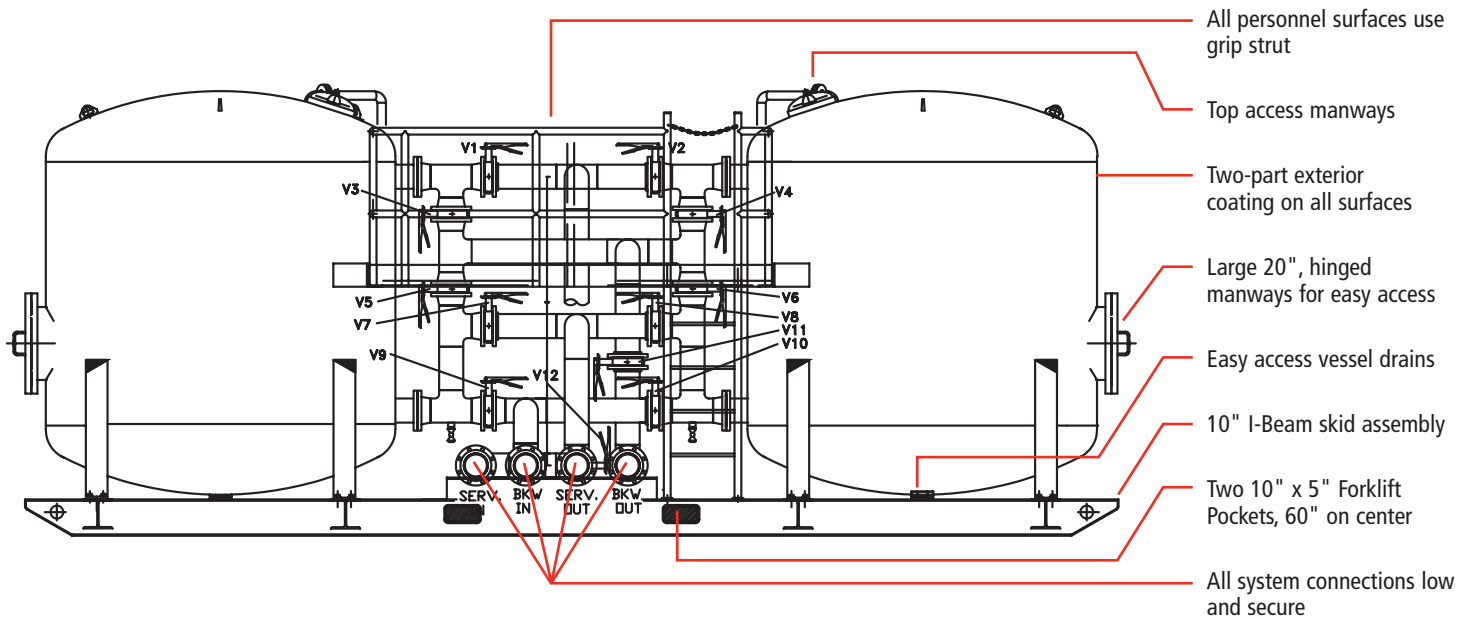
24/7/365 onsite service—BakerCorp will supply all specialty media for the systems in addition to designing, installing and servicing the units.



To contact your local BakerCorp representative, call **1-800-BAKER 12** or visit www.bakercorp.com

 **BAKERCORP**™
PEOPLE. EQUIPMENT. SOLUTIONS.

10K DUPLEX FILTRATION SYSTEM



BENEFITS

- Skid mounted for portability
- Several flow and backwash options
- Influent/ effluent gauges and sample ports
- ASME code vessels
- Stainless steel internals
- Built-in service platform

IDEAL USAGE

Environmental and industrial contaminant removal of liquid phase.

PERFORMANCE

Capacity	Up to 600 gpm in series or 1200 gpm in parallel (application dependent)
Pressure	100 psi ASME Code Stamped
Temperature	150° F Max
Media Weight Range	10,000 to 20,000 pounds (per vessel depending on media type)
Height	10' 6" (overall)
Width/Diameter Range	8'-0" (skid), 96" (each vessel)
Length	25'
Weight (empty)	20,000 pounds, total

FEATURES

Type of Media Used*	Granular activated carbon, ion exchange resin, zeolite, organoclay
Material of Construction	Lined carbon steel vessels with stainless steel internals

*Contact your local representative for a media solution matched to your application requirements

To contact your local BakerCorp representative, call **1-800-BAKER 12** or visit www.bakercorp.com

BAKERCORP™
PEOPLE. EQUIPMENT. SOLUTIONS.